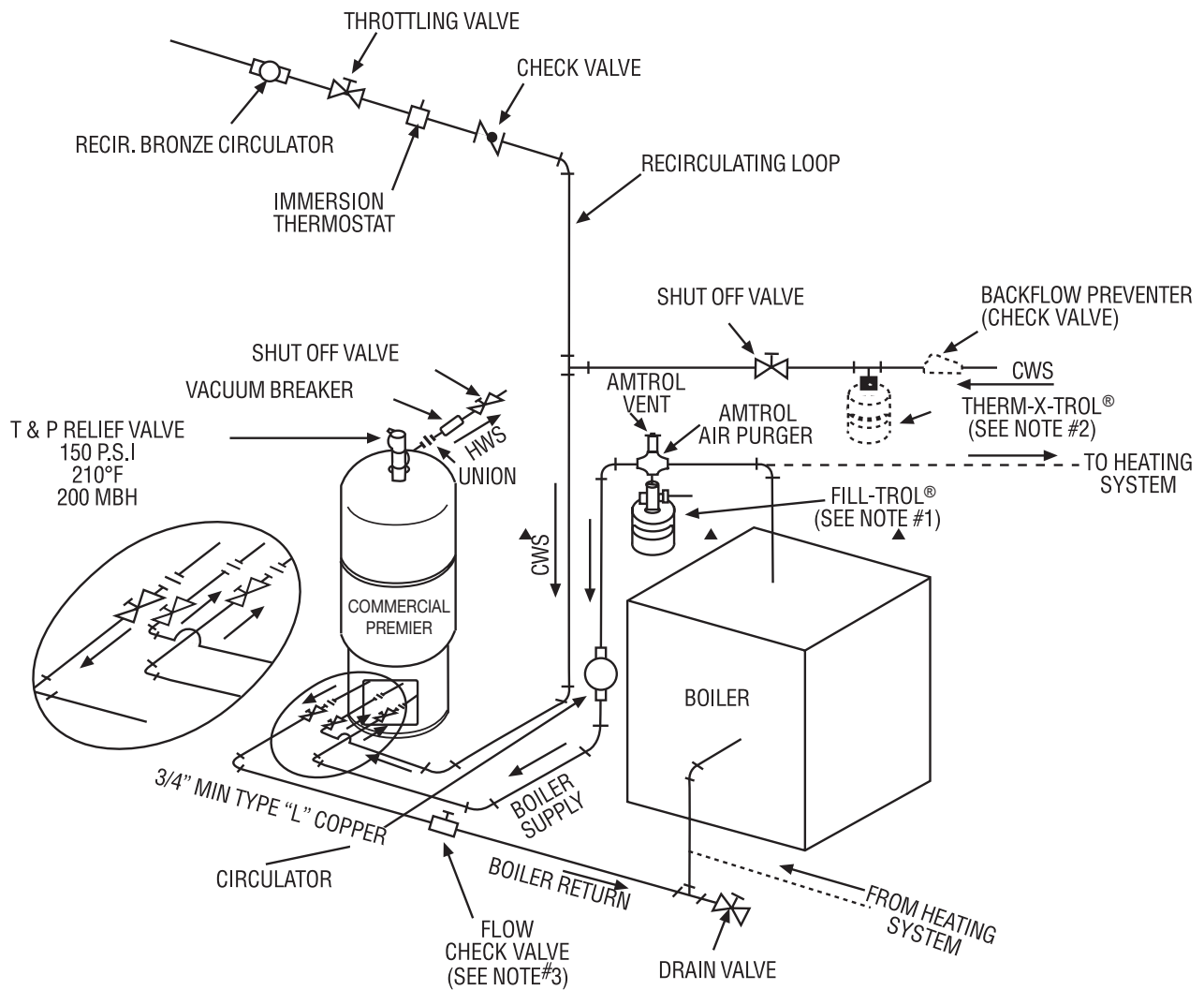




PREMIER™ SERIES ONE TANK INSTALLATION

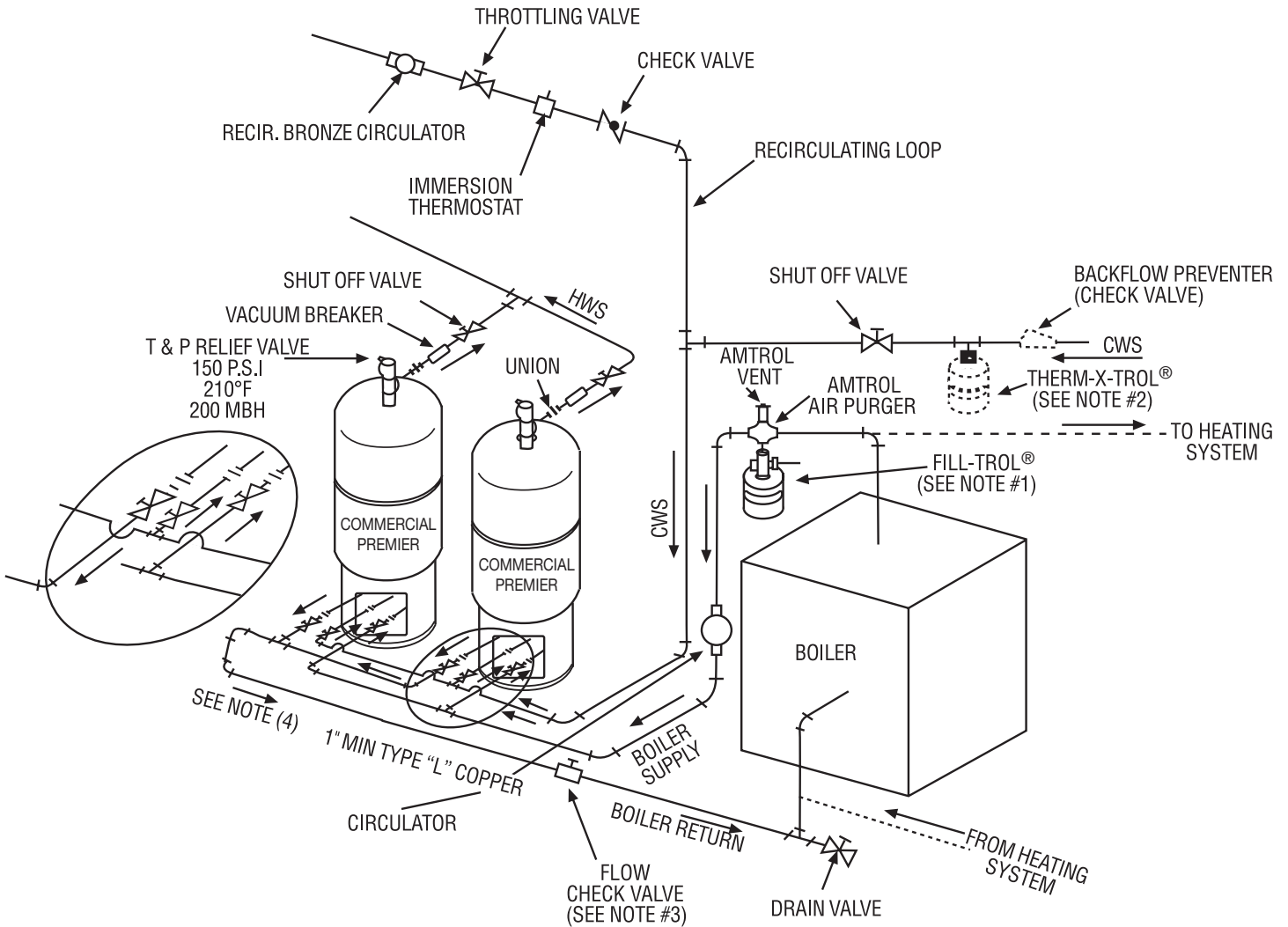


NOTES:

1. FILL-TROL MUST BE SIZED TO ACCOMMODATE THE THERMAL EXPANSION, WITHIN THE BOILER OPERATING RANGE.
2. THERM-X-TROL IS REQUIRED WHEN THE DOMESTIC WATER SYSTEM HAS A BACKFLOW PREVENTION DEVICE OR CHECK VALVE ON THE INCOMING WATER LINE. CHECK THERM-X-TROL SIZING CHART FOR PROPER MODEL.
3. REQUIRED WHEN BOILER IS USED FOR BOTH SPACE HEATING AND DOMESTIC HOT WATER, (OR WHEN A FLOW CONTROL IS REQUIRED).



PREMIER™ SERIES TWO TANK INSTALLATION



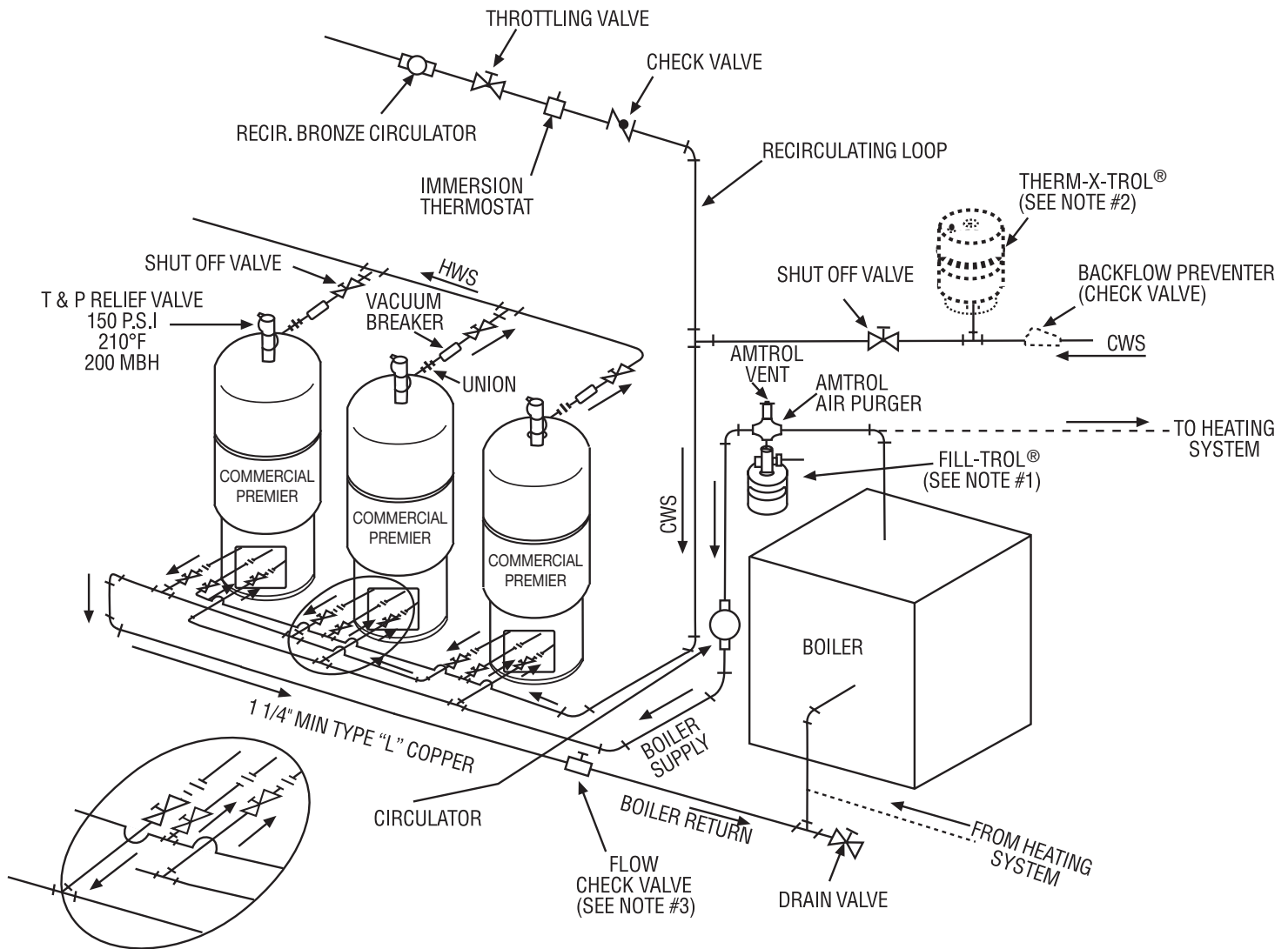
NOTES:

1. FILL-TROL MUST BE SIZED TO ACCOMMODATE THE THERMAL EXPANSION, WITHIN THE BOILER OPERATING RANGE.
2. THERM-X-TROL IS REQUIRED WHEN THE DOMESTIC WATER SYSTEM HAS A BACKFLOW PREVENTION DEVICE OR CHECK VALVE ON THE INCOMING WATER LINE. CHECK THERM-X-TROL SIZING CHART FOR PROPER MODEL.
3. REQUIRED WHEN BOILER IS USED FOR BOTH SPACE HEATING AND DOMESTIC HOT WATER, (OR WHEN A FLOW CONTROL IS REQUIRED).

1400 Division Road, West Warwick, RI 02893 ▲ T: 800.426.8765 ▲ F: 800.293.1519 ▲ www.amtrol.com



PREMIER™ SERIES THREE TANK INSTALLATION



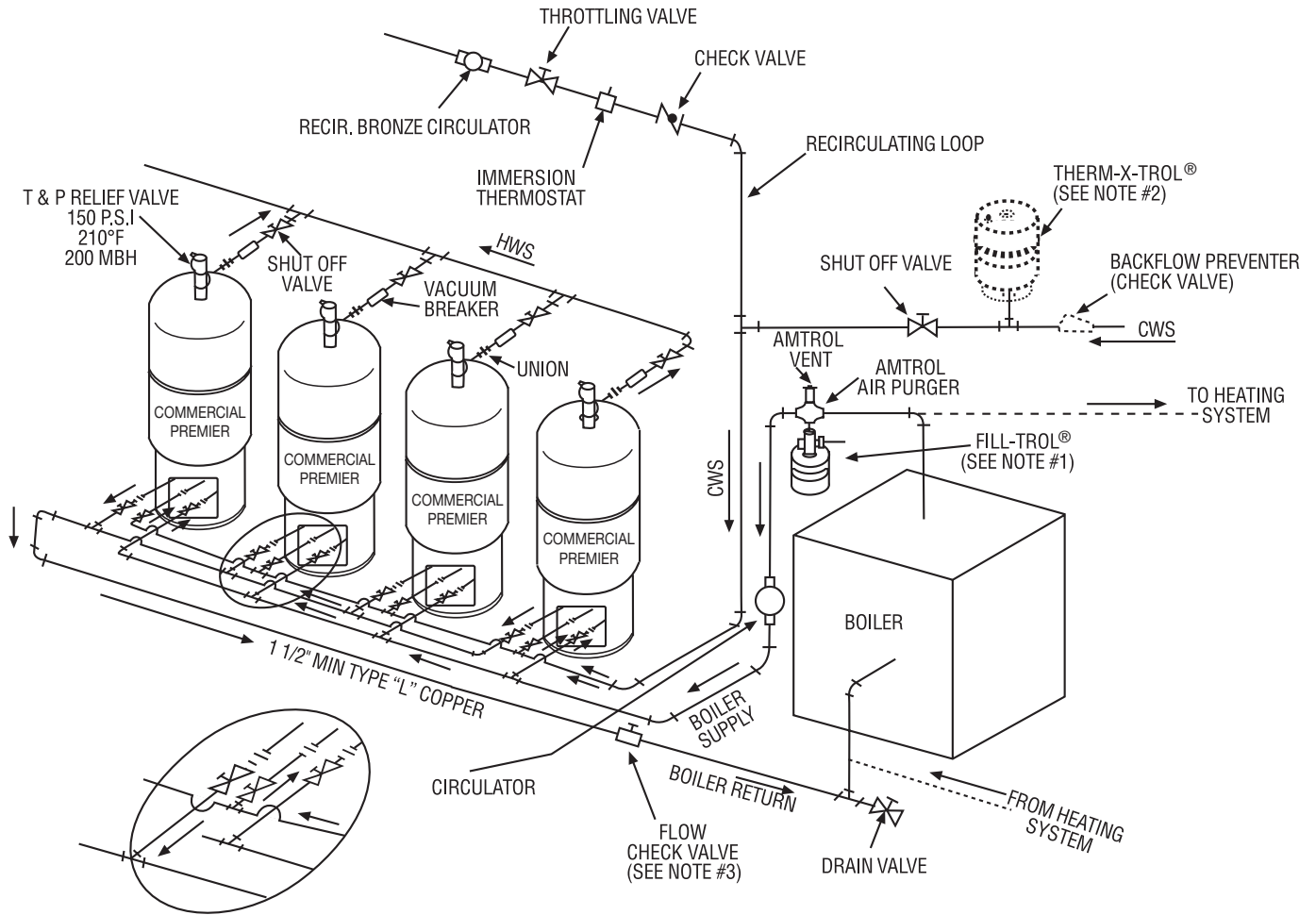
NOTES:

1. FILL-TROL MUST BE SIZED TO HANDLE A BOILER SYSTEM THERMAL EXPANSION. ON LARGE SYSTEMS, AN ADDITIONAL EXTROL® MAYBE REQUIRED.
2. THERM-X-TROL IS REQUIRED WHEN THE DOMESTIC WATER SYSTEM HAS A BACKFLOW PREVENTION DEVICE OR CHECK VALVE ON THE INCOMING WATER LINE. CHECK THERM-X-TROL SIZING CHART FOR PROPER MODEL.
3. REQUIRED WHEN BOILER IS USED FOR BOTH SPACE HEATING AND DOMESTIC HOT WATER, (OR WHEN A FLOW CONTROL IS REQUIRED).

1400 Division Road, West Warwick, RI 02893 ▲ T: 800.426.8765 ▲ F: 800.293.1519 ▲ www.amtrol.com



PREMIER™ SERIES FOUR TANK INSTALLATION



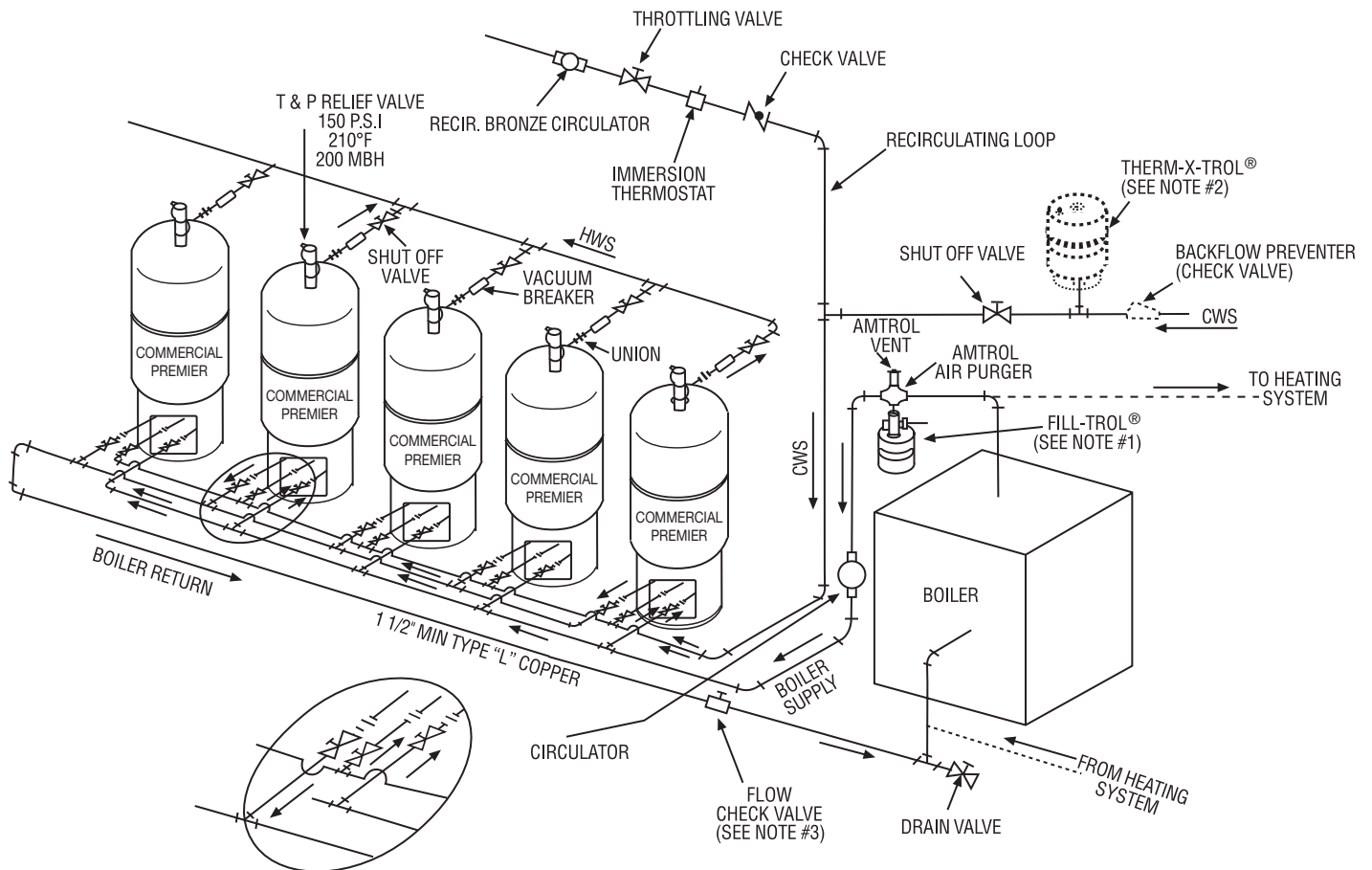
NOTES:

1. FILL-TROL MUST BE SIZED TO HANDLE A BOILER SYSTEM THERMAL EXPANSION. ON LARGE SYSTEMS, AN ADDITIONAL EXTROL® MAY BE REQUIRED.
2. THERM-X-TROL IS REQUIRED WHEN THE DOMESTIC WATER SYSTEM HAS A BACKFLOW PREVENTION DEVICE OR CHECK VALVE ON THE INCOMING WATER LINE. CHECK THERM-X-TROL SIZING CHART FOR PROPER MODEL.
3. REQUIRED WHEN BOILER IS USED FOR BOTH SPACE HEATING AND DOMESTIC HOT WATER, (OR WHEN A FLOW CONTROL IS REQUIRED).

1400 Division Road, West Warwick, RI 02893 ▲ T: 800.426.8765 ▲ F: 800.293.1519 ▲ www.amtrol.com



PREMIER™ SERIES FIVE TANK INSTALLATION



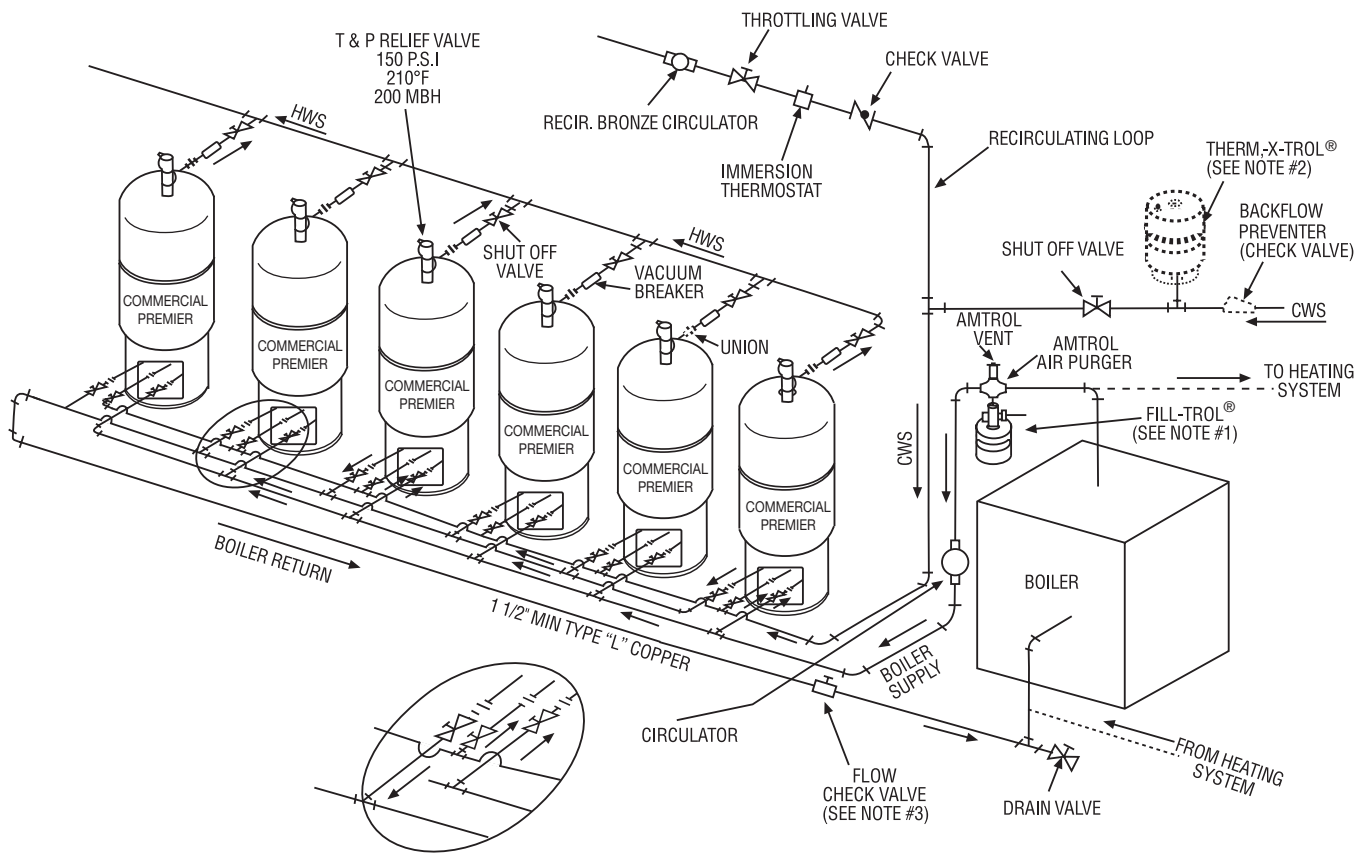
NOTES:

1. FILL-TROL MUST BE SIZED TO HANDLE A BOILER SYSTEM THERMAL EXPANSION. ON LARGE SYSTEMS, AN ADDITIONAL EXTROL® MAY BE REQUIRED.
2. THERM-X-TROL IS REQUIRED WHEN THE DOMESTIC WATER SYSTEM HAS A BACKFLOW PREVENTION DEVICE OR CHECK VALVE ON THE INCOMING WATER LINE. CHECK THERM-X-TROL SIZING CHART FOR PROPER MODEL.
3. REQUIRED WHEN BOILER IS USED FOR BOTH SPACE HEATING AND DOMESTIC HOT WATER, (OR WHEN A FLOW CONTROL IS REQUIRED).

1400 Division Road, West Warwick, RI 02893 ▲ T: 800.426.8765 ▲ F: 800.293.1519 ▲ www.amtrol.com



PREMIER™ SERIES SIX TANK INSTALLATION



NOTES:

1. FILL-TROL MUST BE SIZED TO HANDLE A BOILER SYSTEM THERMAL EXPANSION. ON LARGE SYSTEMS, AN ADDITIONAL EXTROL® MAY BE REQUIRED.
2. THERM-X-TROL IS REQUIRED WHEN THE DOMESTIC WATER SYSTEM HAS A BACKFLOW PREVENTION DEVICE OR CHECK VALVE ON THE INCOMING WATER LINE. CHECK THERM-X-TROL SIZING CHART FOR PROPER MODEL.
3. REQUIRED WHEN BOILER IS USED FOR BOTH SPACE HEATING AND DOMESTIC HOT WATER, (OR WHEN A FLOW CONTROL IS REQUIRED).

1400 Division Road, West Warwick, RI 02893 ▲ T: 800.426.8765 ▲ F: 800.293.1519 ▲ www.amtrol.com