



AIR SEPARATOR

In-Line Purger: 4" - 18"

125/150 PSIG Working Pressure

Construction

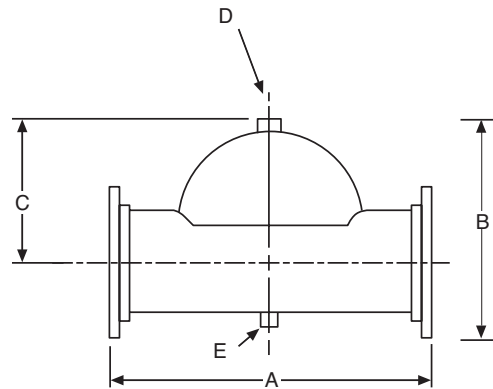
| | |
|------------|--------------------------------------|
| Body | 449: Cast Iron |
| | 461 - 468: Steel |
| Connection | 449 - 466: 150 Lb ANSI Flanges |
| | 467 & 468: Butt Weld Ends |
| | Larger sizes available upon request. |

Performance

| | |
|----------------------|--------------------------------|
| Max Working Pressure | 449: 125 PSIG (8.6 bar) |
| | 461 - 468: 150 PSIG (10.3 bar) |
| Warranty | 1 Year |

Application

- Separates air from water in closed hydronic and chilled water systems.
- Unique baffle design moves air into domed cavity above which an air vent can be mounted.
- Use with 747 High Capacity Air Vent.



In-Line Models

| Model Number | Connection | | A Length | | B Height | | C Conn. to Top | | D Vent Tappings NPT | | E Drain Tappings NPT | | Shipping Weight | |
|--------------|------------|-----|----------|------|----------|-----|----------------|-----|---------------------|----|----------------------|----|-----------------|-----|
| | In | mm | In | mm | In | mm | In | mm | In | mm | In | mm | Lbs | Kg |
| 449 | 4 | 102 | 12 | 305 | 10 | 254 | 5 | 127 | ¼ | 19 | ½ | 13 | 56 | 25 |
| 461 | 5 | 127 | 20 | 508 | 14½ | 368 | 8 | 191 | 1½ | 38 | 1½ | 38 | 60 | 27 |
| 462 | 6 | 152 | 24 | 610 | 16½ | 419 | 9 | 216 | 1¼ | 32 | 1½ | 38 | 65 | 29 |
| 463 | 8 | 203 | 32 | 813 | 20¾ | 527 | 11 | 286 | 1¼ | 32 | 1½ | 38 | 113 | 51 |
| 464 | 10 | 254 | 40 | 1016 | 25 | 635 | 14 | 356 | 1¼ | 32 | 1½ | 38 | 174 | 79 |
| 465 | 12 | 305 | 48 | 1219 | 29½ | 749 | 17 | 425 | 1¼ | 32 | 1½ | 38 | 330 | 150 |
| 466 | 14 | 356 | 48 | 1219 | 34 | 864 | 19 | 492 | 1¼ | 32 | 1½ | 38 | 500 | 227 |
| 467 | 16 | 406 | 48 | 1219 | 32¼ | 819 | 20 | 508 | 1¼ | 32 | 1½ | 38 | 231 | 150 |
| 468 | 18 | 457 | 72 | 1829 | 37¼ | 946 | 24 | 597 | 1¼ | 32 | 1½ | 38 | 573 | 260 |

All dimensions and weights are approximate.

| | |
|------------------|-------------|
| Job Name _____ | Notes _____ |
| Engineer _____ | _____ |
| Contractor _____ | _____ |
| P.O. No. _____ | _____ |
| Sales Rep. _____ | _____ |
| Model No. _____ | _____ |

