



EXTROL®

Hydronic Expansion Tanks: Vertical AX Series ASME

175 PSIG Working Pressure

Construction

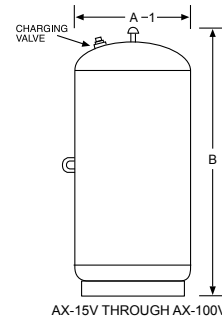
Shell	ASME Approved Steel
Diaphragm	Heavy Duty Butyl/EPDM
System Connection	NPTF ¹ Malleable Iron Center NPTF ² Malleable Iron Bottom NPTM ³ Steel Pipe, Top Offset
Finish	Red Oxide Primer
Air Valve	Schrader Valve w/EPDM Seats
Factory Precharge	12 PSIG (.8 bar)

Performance

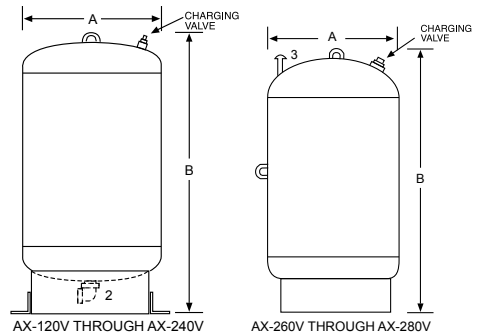
Maximum Operating Temperature	240°F (115°C)
Maximum Working Pressure	175 PSIG (12 bar)
Warranty	1-Year

Application

- For use in closed, non-potable hydronic heating and chilled water systems.
- Designed to meet all ASME Code Section VIII, Division 1 standards.
- Available with optional sight glass and seismic restraints.
- Suitable in propylene glycol applications with mixtures up to 50%.

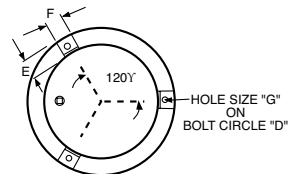


AX-15V THROUGH AX-100V



AX-120V THROUGH AX-240V

AX-260V THROUGH AX-280V



BOTTOM VIEW

Vertical ASME Models

Model Number	Tank Volume		Max. Accept. Volume		A Tank Diameter		B Tank Height		Sys. Conn	Shipping Weight	
	Gal	Lit	Gal	Lit	In	mm	In	mm		Lbs	Kg
AX-15V	8.0	30.3	2.4	9.1	12	305	20	508	½ ¹	49	22
AX-20V	10.9	41.3	2.4	9.1	12	305	27	686	½ ¹	61	28
AX-40V	21.7	82.2	11.3	42.8	16	356	30	762	½ ¹	99	45
AX-60V	33.6	127.2	11.3	42.8	16	356	45	1143	½ ¹	127	58
AX-80V	44.4	168.1	22.6	85.5	24	610	29	737	1 ¹	201	91
AX-100V	55.7	211.8	22.6	85.5	24	610	34	864	1 ¹	229	104
AX-120V	68.0	257.4	34.0	128.7	24	610	47	1194	1 ²	278	126
AX-144V	77.0	291.5	34.0	128.7	24	610	52	1321	1 ²	299	136
AX-180V	90.0	340.7	34.0	128.7	24	610	60	1524	1 ²	352	160
AX-200V	110.0	416.4	34.0	128.7	24	610	66	1676	1 ²	377	171
AX-240V	132.0	500.0	46.0	174.0	30	762	58	1473	1 ²	521	236
AX-260V	159.0	600.0	56.0	212.0	30	762	65	1651	1¼ ³	598	271
AX-280V	211.0	800.0	84.0	318.0	30	762	82	2083	1¼ ³	767	348

All dimensions and weights are approximate.

Optional Seismic Restraints

Tank Diameter	Bolt Circle	Dim. E	Dim. F	Hole Size G
B	D	E	F	G
12	12¾	2	2	¼/16
16¼	14¾	2	2	¼/16
24	18	2	2	¼/16
30	27	3	3	¾/4

Job Name _____	Notes _____
Engineer _____	_____
Contractor _____	_____
P.O. No. _____	_____
Sales Rep. _____	_____
Model No. _____	_____

