



AIR SEPARATOR

In-Line Purger: 1" - 3"

125 PSIG Working Pressure

Construction

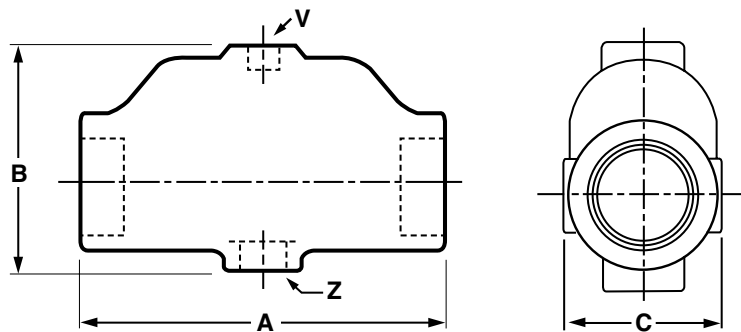
Body	Cast Iron
------	-----------

Performance

Maximum Working Pressure	125 PSIG (8.6 bar)
Warranty	1-Year

Application

- Separates air from water in closed loop hydronic heating systems.
- System connection sets the point of no pressure change.
- Use with 700 Series Automatic Air Vents and Extrol® Expansion Tanks.



In-Line Models

Model Number	Connection		A Length		B Height		C Width		V Tapping NPT		Z Tapping NPT		Shipping Weight	
	In	mm	In	mm	In	mm	In	mm	In	mm	In	mm	Lbs	Kg
443	1	25	6	152	4	102	2½	64	⅛	3	½	13	4	2
444	1¼	32	6	152	4	102	2½	64	⅛	3	½	13	5	2
445	1½	38	8	203	5	127	3½	89	⅛	3	½	13	9	4
446	2	51	8	203	5	127	3½	89	½	13	½	13	10	5
447	2½	64	10	254	6	152	5	127	¾	19	½	13	19	9
448	3	76	10	254	6	152	5	127	¾	19	½	13	20	9

All dimensions and weights are approximate.

Job Name _____	Notes _____
Engineer _____	_____
Contractor _____	_____
P.O. No. _____	_____
Sales Rep. _____	_____
Model No. _____	_____





AIR SEPARATOR

In-Line Purger: 4" - 18"

125/150 PSIG Working Pressure

Construction

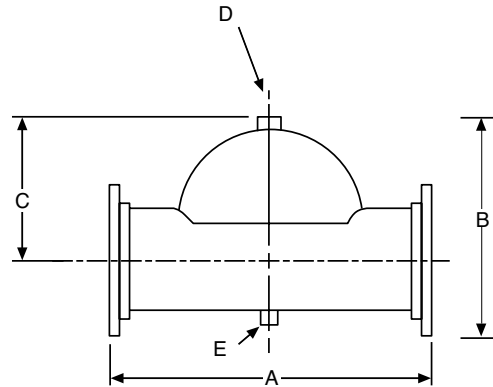
Body	449: Cast Iron
	461 - 468: Steel
Connection	449 - 466: 150 Lb ANSI Flanges
	467 & 468: Butt Weld Ends
	Larger sizes available upon request.

Performance

Max Working Pressure	449: 125 PSIG (8.6 bar)
	461 - 468: 150 PSIG (10.3 bar)
Warranty	1-Year

Application

- Separates air from water in closed hydronic and chilled water systems.
- Unique baffle design moves air into domed cavity above which an air vent can be mounted.
- Use with 747 High Capacity Air Vent.



In-Line Models

Model Number	Connection		A Length		B Height		C Conn. to Top		D Vent Tappings NPT		E Drain Tappings NPT		Shipping Weight	
	In	mm	In	mm	In	mm	In	mm	In	mm	In	mm	Lbs	Kg
449	4	102	12	305	10	254	5	127	¼	19	½	13	56	25
461	5	127	20	508	14½	368	8	191	1¼	38	1½	38	60	27
462	6	152	24	610	16½	419	9	216	1¼	32	1½	38	65	29
463	8	203	32	813	20¾	527	11	286	1¼	32	1½	38	113	51
464	10	254	40	1016	25	635	14	356	1¼	32	1½	38	174	79
465	12	305	48	1219	29½	749	17	425	1¼	32	1½	38	330	150
466	14	356	48	1219	34	864	19	492	1¼	32	1½	38	500	227
467	16	406	48	1219	32¼	819	20	508	1¼	32	1½	38	231	150
468	18	457	72	1829	37¼	946	24	597	1¼	32	1½	38	573	260

All dimensions and weights are approximate.

Job Name _____	Notes _____
Engineer _____	_____
Contractor _____	_____
P.O. No. _____	_____
Sales Rep. _____	_____
Model No. _____	_____

