



THERM-X-TROL®

Thermal Expansion Tanks: ST-C Series ASME

250 PSIG Working Pressure

Construction

Shell	Steel
Diaphragm	Heavy Duty Butyl NSF/ANSI 61
Liner	Antimicrobial Polypropylene w/Anti-Legionella Protection
System Connection	Stainless Steel
Finish	Red Oxide Primer
Air Valve	Shrader Valve with EPDM Seat
Factory Precharge	55 PSIG (3.8 bar)

Performance

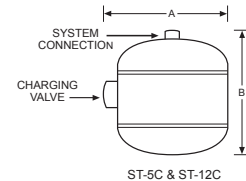
Maximum Operating Temperature	200°F (93°C)
Maximum Working Pressure	250 PSIG (17.2 bar)
Warranty	1-Year

Application

- For use in closed, potable water systems to control pressure build-up.
- Fixed diaphragm construction.
- Designed and constructed per ASME Code Section VIII, Division 1.
- Tested to JIS Z 2801 for reduction of Legionella, Staphylococcus and E. coli.
- Follows ASHRAE 188 Anti-Legionella guidelines.
- All models available with optional sight glass.
- Seismic restraints available on stand models only.

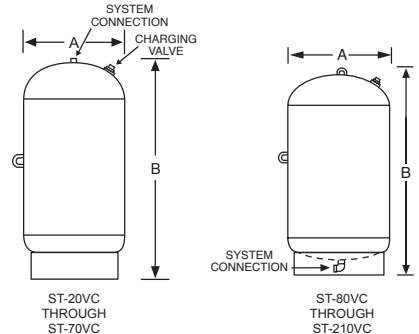
In-Line Models

Model Number	Tank Volume		Max. Accept. Factor	A Tank Diameter		B Tank Height		System Connection (NPTF)	Shipping Weight	
	Gal	Lit		In	mm	In	mm		In	Lbs
ST-5C	2.1	8	.43	10	254	10	254	3/4	25	11
ST-12C	6.4	24	.50	12	305	14	356	3/4	42	19



Stand Models

Model Number	Tank Volume		Max. Accept. Factor	A Tank Diameter		B Tank Height		System Connection (NPTF)	Shipping Weight	
	Gal	Lit		In	mm	In	mm		In	Lbs
ST-20VC	8	30	.40	12	305	19	483	3/4	50	23
ST-30VC	14	53	.64	16	406	19	483	3/4	96	44
ST-42VC	18	68	.61	16	406	24	610	3/4	101	46
ST-60VC	25	95	.44	16	406	32	813	3/4	125	57
ST-70VC	34	129	.32	16	406	45	1143	3/4	136	62
ST-80VC	53	201	.66	24	610	37	940	1 1/4	305	138
ST-120VC	68	257	.51	24	610	44	1118	1 1/4	375	170
ST180VC	77	291	.45	24	610	49	1245	1 1/4	380	172
ST-210VC	90	341	.39	24	610	57	1448	1 1/4	405	184



All dimensions and weights are approximate.

Job Name _____	Notes _____
Engineer _____	_____
Contractor _____	_____
P.O. No. _____	_____
Sales Rep. _____	_____
Model No. _____	_____

