



THERM-X-TROL®

Thermal Expansion Tanks: Partial Acceptance Bladder ST Series ASME

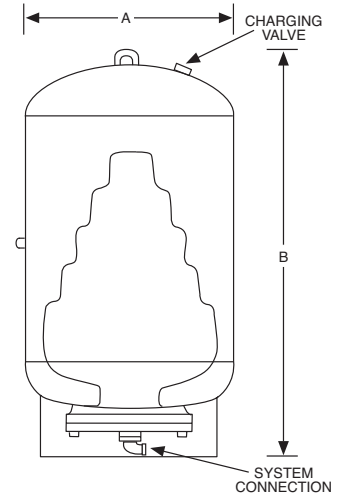
150 PSIG Working Pressure

Construction

| | |
|------------------------------------|-----------------------------|
| Shell | Carbon Steel |
| Bladder Material | Heavy Duty Butyl |
| Bladder Thickness (models 35-100) | .087 In Minimum |
| Bladder Thickness (models 130-600) | .100 In Minimum |
| System Connection | Stainless Steel |
| Finish | Red Oxide Primer |
| Air Valve | Schrader Valve w/ EPDM Seat |
| Factory Precharge | 25 PSIG (1.7 bar) |

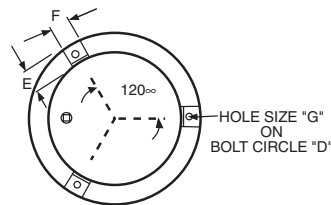
Application

- For use in closed, potable water systems to control pressure build-up.
- Partial acceptance replaceable bladder design.
- Optional sight glass and seismic restraints available.
- Designed and constructed per ASME Code Section VIII, Division 1.



Performance

| | |
|-------------------------------|---------------------|
| Maximum Operating Temperature | 240°F (115°C) |
| Maximum Working Pressure | 150 PSIG (10.3 bar) |
| Warranty | 1-Year |



BOTTOM VIEW

ASME Models

| Model Number | Tank Volume | | Max. Accept. Factor | A Tank Diameter | | B Tank Height | | System Conn. (NPTF) | Shipping Weight | |
|--------------|-------------|-----|---------------------|-----------------|-----|---------------|------|---------------------|-----------------|-----|
| | Gal | Lit | | In | mm | In | mm | | Lbs | Kg |
| ST-35CL | 10 | 35 | 1.00 | 10 | 254 | 37 | 948 | 1 | 76 | 34 |
| ST-50CL | 13 | 50 | .85 | 12 | 305 | 37 | 941 | 1 | 78 | 35 |
| ST-85CL | 22 | 85 | .50 | 16 | 406 | 35 | 872 | 1 | 95 | 43 |
| ST-100CL | 26 | 100 | .42 | 16 | 406 | 39 | 991 | 1 | 102 | 46 |
| ST-130CL | 34 | 130 | .79 | 20 | 508 | 35 | 881 | 1 | 134 | 61 |
| ST-165CL | 44 | 165 | .61 | 20 | 508 | 40 | 1008 | 1 | 153 | 69 |
| ST-200CL | 53 | 200 | .51 | 24 | 610 | 41 | 1039 | 1 | 205 | 93 |
| ST-300CL | 80 | 300 | .34 | 24 | 610 | 56 | 1423 | 1 | 254 | 115 |
| ST-400CL | 106 | 400 | .50 | 24 | 610 | 69 | 1743 | 1 | 308 | 140 |
| ST-500CL | 132 | 500 | .40 | 24 | 610 | 83 | 2096 | 1 | 352 | 160 |
| ST-600CL | 158 | 600 | .34 | 30 | 762 | 67 | 1702 | 1 | 442 | 200 |

Optional Seismic Restraints

| Tank Diameter | Bolt Circle | Dim. E | Dim. F | Hole Size |
|---------------|--------------------------------|--------|--------|------------------------------|
| B | D | E | F | G |
| 10 | 12 ⁵ / ₈ | 2 | 2 | ⁹ / ₁₆ |
| 12 | 14 ³ / ₄ | 2 | 2 | ⁹ / ₁₆ |
| 16 | 16 ³ / ₄ | 2 | 2 | ⁹ / ₁₆ |
| 20 | 16 ³ / ₄ | 2 | 2 | ⁹ / ₁₆ |
| 24 | 18 | 2 | 2 | ⁹ / ₁₆ |
| 30 | 22 ³ / ₄ | 3 | 3 | ³ / ₄ |

All dimensions and weights are approximate.

| | |
|------------------|-------------|
| Job Name _____ | Notes _____ |
| Engineer _____ | _____ |
| Contractor _____ | _____ |
| P.O. No. _____ | _____ |
| Sales Rep. _____ | _____ |
| Model No. _____ | _____ |

