



250 PSIG Working Pressure

Construction

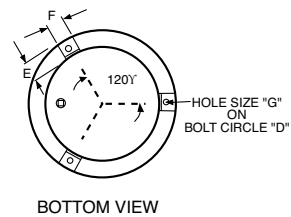
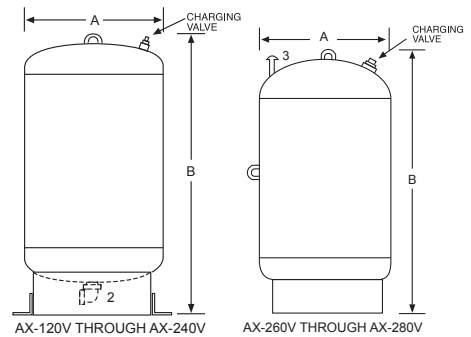
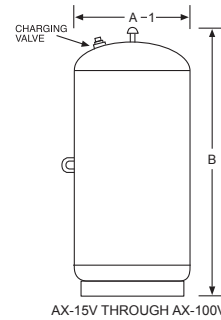
Shell	ASME Approved Steel
Diaphragm	Heavy Duty Butyl/EPDM
System Connection	NPTF ¹ Malleable Iron Center NPTF ² Malleable Iron Bottom NPTM ³ Steel Pipe, Top Offset
Finish	Red Oxide Primer
Air Valve	Schrader Valve w/EPDM Seats
Factory Precharge	12 PSIG (.8 bar)

Performance

Maximum Operating Temperature	240°F (115°C)
Maximum Working Pressure	250 PSIG (17.2 bar)
Warranty	3-Years

Application

- For use in closed, non-potable hydronic heating and chilled water systems.
- Designed to meet all ASME Code Section VIII, Division 1 standards.
- Available with optional sight glass and seismic restraints.
- Suitable in propylene glycol applications with mixtures up to 50%.



Vertical ASME Models

Model Number	Tank Volume		Max. Accept. Volume		A Tank Diameter		B Tank Height		Sys. Conn	Shipping Weight	
	Gal	Lit	Gal	Lit	In	mm	In	mm		Lbs	Kg
AX-15V	8.0	30.3	2.4	9.1	12	305	20	508	½ ¹	59	27
AX-20V	10.9	41.3	2.4	9.1	12	305	27	686	½ ¹	71	32
AX-40V	21.7	82.2	11.3	42.8	16	356	30	762	½ ¹	114	52
AX-60V	33.6	127.2	11.3	42.8	16	356	45	1143	½ ¹	147	67
AX-80V	44.4	168.1	22.6	85.5	24	610	29	737	1 ¹	233	106
AX-100V	55.7	211.8	22.6	85.5	24	610	34	864	1 ¹	264	120
AX-120V	68.0	257.4	34.0	128.7	24	610	47	1194	1 ²	321	146
AX-144V	77.0	291.5	34.0	128.7	24	610	52	1321	1 ²	345	156
AX-180V	90.0	340.7	34.0	128.7	24	610	60	1524	1 ²	407	185
AX-200V	110.0	416.4	34.0	128.7	24	610	66	1676	1 ²	435	197
AX-240V	132.0	500.0	46.0	174.0	30	762	58	1473	1 ²	602	273
AX-260V	159.0	600.0	56.0	212.0	30	762	65	1651	1¼ ³	690	313
AX-280V	211.0	800.0	84.0	318.0	30	762	82	2083	1¼ ³	885	401

All dimensions and weights are approximate.

Optional Seismic Restraints

Tank Diameter	Bolt Circle	Dim. E	Dim. F	Hole Size G
B	D			
12	12¾	2	2	⅜
16¼	14¾	2	2	⅜
24	18	2	2	⅜
30	27	3	3	¾

Job Name _____	Notes _____
Engineer _____	_____
Contractor _____	_____
P.O. No. _____	_____
Sales Rep. _____	_____
Model No. _____	_____

